

**DEMA 84-65-29, 84-65-30, & 84-65-60
ATLAS PUMP MODULE KIT**

1. PURPOSE:

The ATLAS Pump Module Kit is designed to provide a means to easily add a pump to a DEMA ATLAS laundry unit. It is added to the side of the ATLAS dispenser with the aid of two snap-in dovetail joints. **85-65-29** and **84-65-30** has a 105 rpm two roller peristaltic pump that uses a 1/8" ID x 1/4" OD squeeze tube while the **84-65-60** has a 60 rpm two roller peristaltic pump that uses a 1/8" ID x 1/4" OD squeeze tube. The **84-65-29** model has 1/4" x 3/8" J.G. fittings, the **84-65-30** model has 3/8" barb fittings, and the **84-65-60** model has 1/4" x 1/4" J.G. fittings.

2. PARTS CHECKLIST:

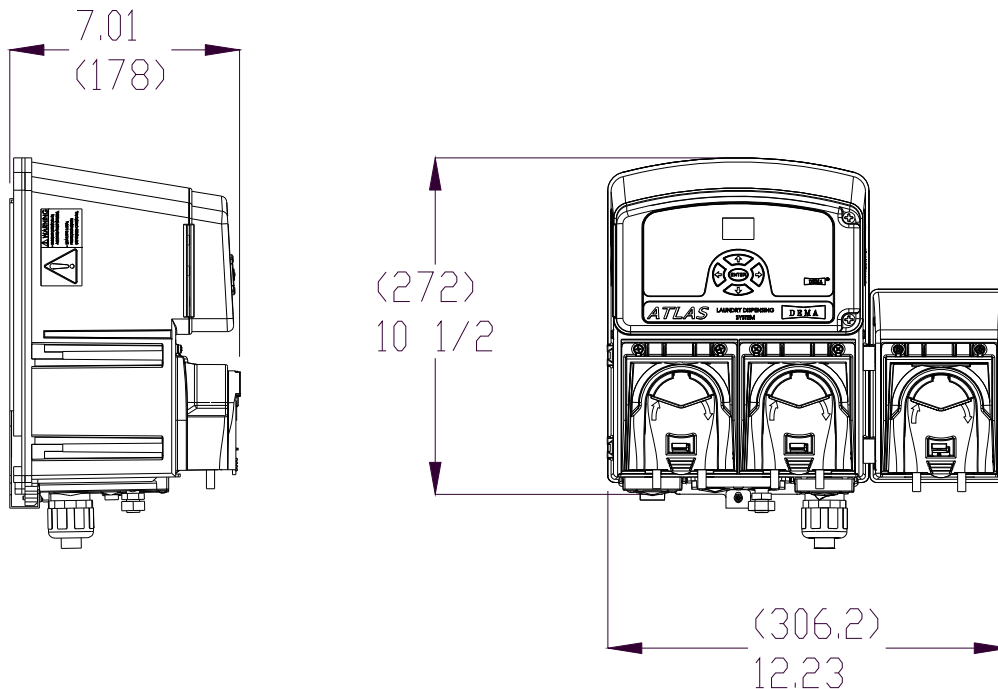
ITEM	PART NO.	DESCRIPTION	QTY.
A.	81-198-4	Pump Module Assembly with J.G. Fittings (for 84-65-29)	1
	81-198-6	Pump Module Assembly with 3/8" Barb Fittings (for 84-65-30)	
	81-198-8	Pump Module Assembly with J.G. Fittings (for 84-65-60)	
B.	81-144-1	Side Module Joint (dovetail joints)	2
C.	81-183-5	Cable Strain Relief	1
D.	81-182-5	1/4" x 3/8" J.G. Fittings (for 84-65-29)	2
	81-182-1	1/4" x 1/4" J.G. Fittings (for 84-65-60)	
E.	81-17-5	Silicone lube packet (for 84-65-60)	1

3. INSTALLATION:

- a) Remove the ATLAS from the wall and place, face up, on a suitable work surface.
- b) Install the two Side Module Joints on the side of the Pump Module Assembly that you wish mounted next to the ATLAS. Make sure the end barb on the top joint is pointing UP and the end barb on the bottom joint is pointing DOWN.
- c) Align the Side Module Joints with the dovetail slots in the side of the ATLAS. Push the module firmly until the barbs on the end of the joints snap into place.
- d) Flip the ATLAS / Pump Module Assembly over.
- e) Run the cable in the raceway and through a 1/2" hole in the back of the ATLAS or thru the bottom of the ATLAS.
- f) Open the door in the top of the ATLAS and fish out the cable. Connect it to the connection on the board in the door.

DEMA 84-65-29, 84-65-30, & 84-65-60 ATLAS PUMP MODULE KIT

- g) Secure the cable by assembling the 81-183-5 cable strain relief around the cable near the point where the cable enters the ATLAS main enclosure. Insert the cable strain relief into the hole where the cable is located.
- h) Refer to the ATLAS instruction manual for programming.



Return Policy

No merchandise may be returned for credit without DEMA Engineering Company's written permission. Return Merchandise Authorization (RMA) number required in advance of return.

Warranty

DEMA products are warranted against defective material and workmanship under normal use and service for one year from the date of manufacture. This limited warranty does not apply to products that have a normal life shorter than one year or failure and damage caused by chemicals, corrosion, improper voltage supply, physical abuse or misapplication. Rubber and synthetic parts such as "O"-rings, diaphragms, squeeze-tubes and gaskets are considered expendable and are not covered under warranty. This warranty is extended only to the original buyer of DEMA products. If products are altered or repaired without prior approval of DEMA, this warranty will be void.