

# **VIKING LLC CLTB**

The ChemSaver Laundry Trigger Board (CLTB) is used to work in conjunction with a ChemSaver or SuperBowl to eliminate the manual feed and allow automatic dispensing of product in response to a machine signal of 24-240 Volts AC or DC in either TIMED or RELAY mode. These instructions are written with the assumption that the CLTB and ChemSaver / SuperBowl will be used for a laundry application. Although we expect that most installations involving this equipment will be laundry rooms, any piece of equipment that can supply a 24-240 volt signal to the dispenser can be used to automate the dosing of a solid / powder unit.

## **INSTALLATION INSTRUCTIONS:**

If you ordered a complete ChemSaver or SuperBowl with the CLTB it will come completely connected to the unit, you will only need to make the connections to the machine / source of the trigger signal.

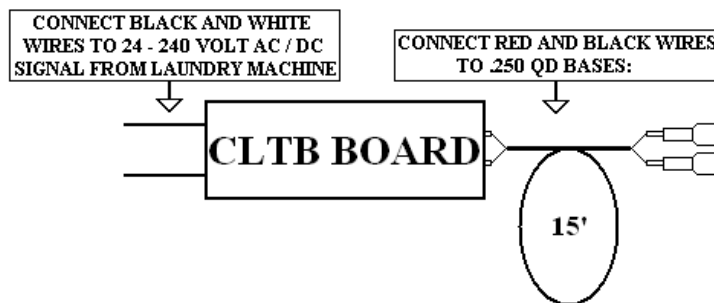
The CLTB should be installed inside of the laundry machine on which you intend to install a ChemSaver and Viking Bowl for dispensing powdered or solid laundry products. The 24" of black and white wire are to be connected to any 24-240 volt AC/DC trigger from the laundry machine controls. The CLTB will convert the high voltage into a safe open or closed signal (no voltage) that is carried back to the ChemSaver / SuperBowl circuit board via the 15' of jacketed 2-conductor cable to tell the unit to dispense. Feed the cable through the black ½" nut, then through a knockout in the side of the machine control box, and then through the threads end of the black compression fitting. Tighten the nut to the fitting inside of the machine and tighten the compression nut on the outside until the wire is held tightly. Now feed the wire through the pigtail side of the gray compression fitting.

**ChemSaver:** Remove the plug from one of the two holes in the left hand side of the box and install the fitting. Install and tighten the nut on the inside to secure.

**SuperBowl:** Install the fitting through one of the two holes in the bottom of the shroud. Although designed as a knockout, it is easier to drill the holes from the bottom of the shroud. For this compression fitting, drill out the inside (center) hole using a ½" drill bit. For SuperBowl disassembly details refer to that unit's instructions.

## **NOTE: BEFORE GOING ANY FURTHER, PLEASE READ THIS SECTION:**

If the ChemSaver / SuperBowl unit is being installed as new, DO NOT INSTALL THE BATTERIES OR PLUG IN THE ADAPTOR UNTIL AFTER YOU HAVE MADE ALL OF THE NECESSARY CONNECTIONS AND PERFORMED THE SET UP FOR USING THE CLTB.



### **CONNECTING THE CLTB WIRES TO THE CHEM\$AVER BOARD AND SET UP:**

At the end of the jacketed 2 conductor there is 8” of exposed red and black wire with .250 female quick disconnects on each wire.

Refer to regular Chem\$aver / SuperBowl Instructions for programming instructions. Review the programming instructions. Program the run time you need as normal. **A valid signal from the CLTB replaces the button depression.**

### **SIGNAL CONDITIONING AND RELAY MODE NOTE:**

Triggers are validated for 5 seconds before being accepted by the CLTB and transferred to the Chem\$aver Board. In relay mode, the 5 second validation is added back to the signal length automatically – a 30 second signal from the machine will result in a 30 second feed even with the 5 second trigger validation.

### **WARRANTY**

Viking LLC, A DEMA Company products are warranted against defective material and workmanship under normal use and service for one year from the date of manufacture. This limited warranty does not apply to any products which have a normal life shorter than one year or failure and damage caused by chemicals, corrosion, improper voltage supply, physical abuse or misapplication. Rubber and synthetic rubber parts such as “O” rings, diaphragms, squeeze tubing and gaskets are considered expendable and are not covered under warranty. This warranty is extended only to the original buyer of Viking LLC products. If the products are altered or repaired without prior approval of Viking LLC, this warranty will be void.

Defective units or parts should be returned to the factory with transportation prepaid. If inspection shows them to be defective, they will be repaired or replaced without charge, F.O.B. factory. Viking LLC assumes no liability for damages. Return Merchandise Authorization (RMA) number to return units for repair or replacement must be granted in advance of return.